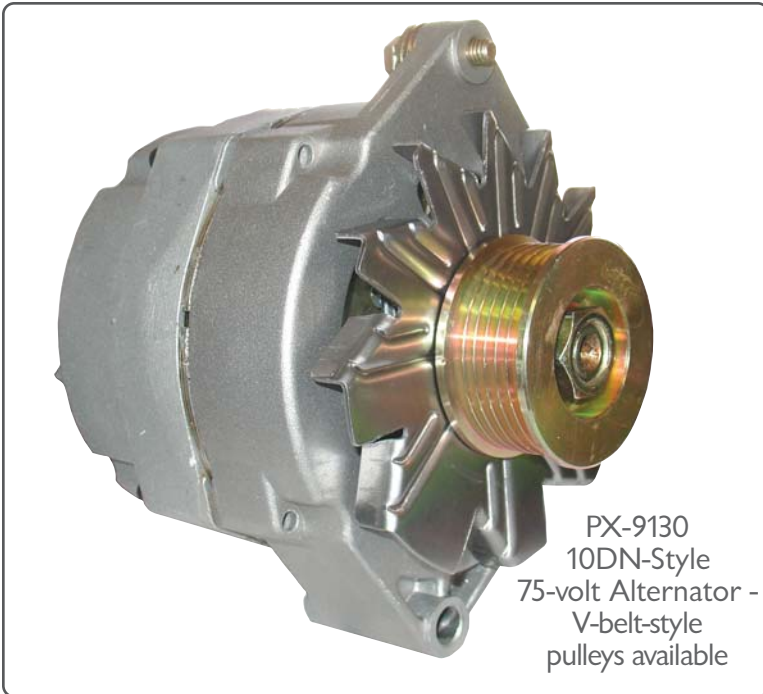
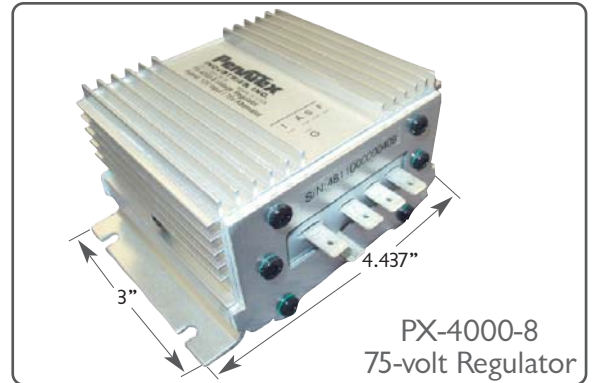


75-volt 15 amps
10DN-Style Industrial Series

**HEAVY DUTY
ALTERNATORS / CHARGING SYSTEMS**



PX-9130
10DN-Style
75-volt Alternator -
V-belt-style
pulleys available



PX-4000-8
75-volt Regulator

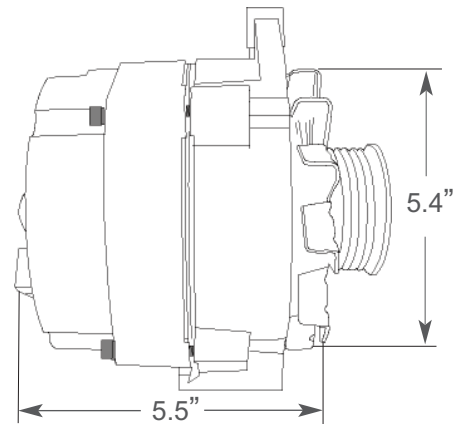
One of several models available for Industrial-type vehicles that require reliable 75-volt power for accessories such as windshield heaters. Contact sales@penntexusa.com for information on these alternators.

- ✱PX-9125 alternator uses a 2.5" single V-belt pulley.
- ✱PX-9130 alternator uses a 2.3" K6 Serpentine pulley.
- ✱These alternators require a PX-3525 Harness Kit that includes a 36 inch-long PX-3522 harness and a PX-4000-8 Regulator.

∞ WARRANTY ∞

PENNTEx INDUSTRIES, INC. STANDARD INDUSTRIAL SERIES WARRANTY IS TWELVE (12) MONTHS / UNLIMITED MILES.

Dimensions are for reference only. For more complete dimensions contact the PennTex Engineering Dept.



PERFORMANCE, ENDURANCE AND SATISFACTION

PennTex
INDUSTRIES, INC.

Manufacturers of
High Efficiency Alternators and
Mobile Electronic Devices.

Corporate:
202 Plaza Drive
Manchester, PA 17345
Ph: 717/266-8762
Fax: 717/266-7803

www.penntexusa.com
Email: sales@penntexusa.com

Manufacturing:
7620 Flagstone Drive
Fort Worth, TX 76118
Ph: 817/590-2818
Toll Free: 877/590-7366
Fax: 817/590-0505

