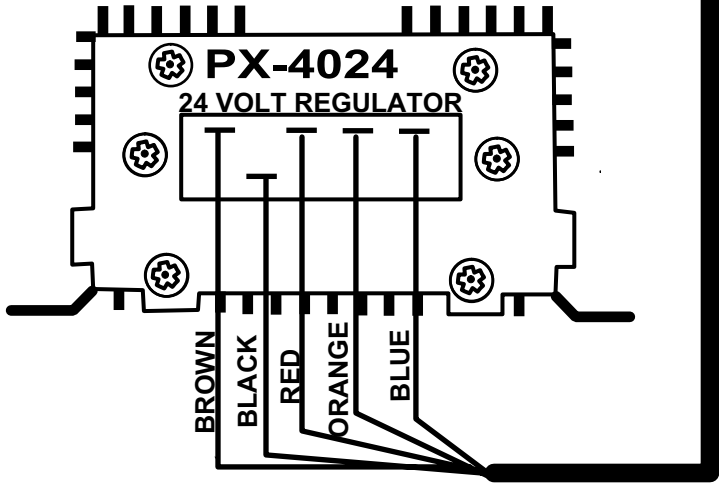
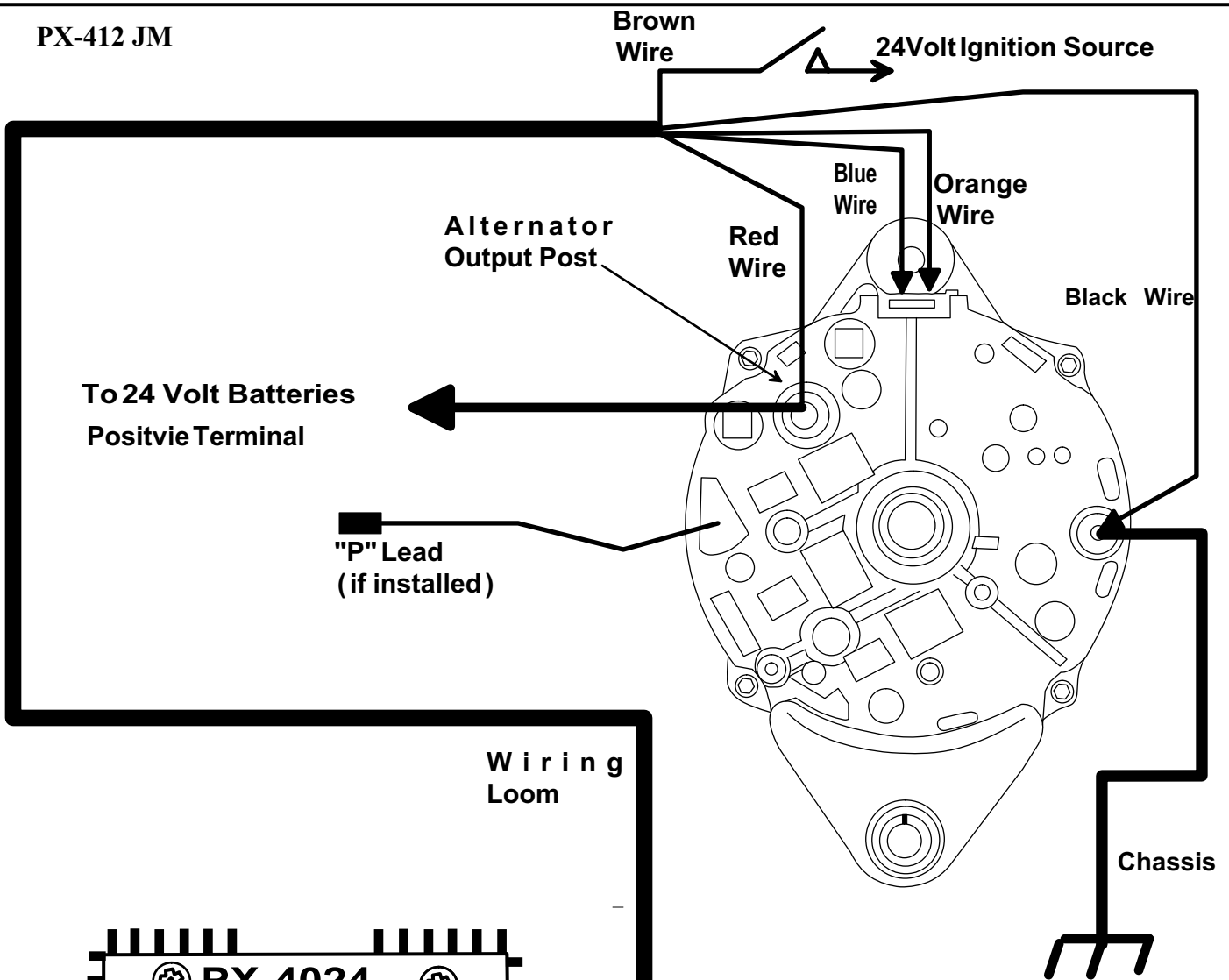


PX-412 JM



Key

- Brown Wire- 24 Volt Ignition
- Black Wire- Ground
- Red Wire- 24 volt Battery Positive
- Orange- Stator
- Blue- Field
- "P" Lead- Accessory

NOTES:

THIS IS A GENERIC WIRING SCHEMATIC FOR A 24 VOLT SYSTEM USING A PX412-JM WITH A PX-4024 REGULATOR. THIS DIAGRAM IS NOT SPECIFIC TO ANY CERTAIN MAKE, MODEL, OR ENGINE.

Penntex
INDUSTRIES, INC.

FT. WORTH, TX MANCHESTER, PA
877-590-7366 www.penntexusa.com

TITLE/DESC: 24 VOLT SYSTEM WITH A PX-412-JM		
DATE: 12/17/04	DRAWING NUMBER: PD-0324	
REVISION:	DRAWN BY: DA	CHECKED BY: RW
SCALE: NONE		PAGE: 1 OF 1