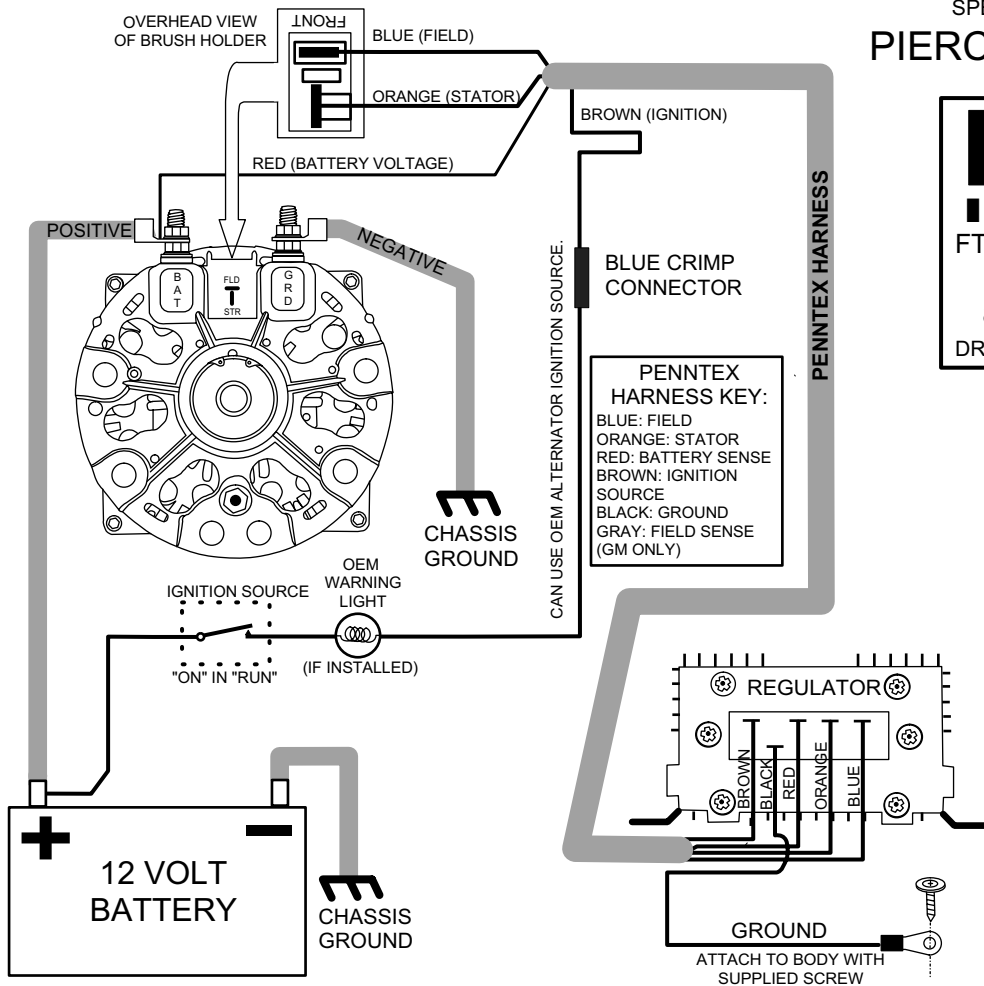


**Penntex**  
**INDUSTRIES, INC.**  
 FT. WORTH, TX    MANCHESTER, PA  
 TOLL FREE:            WEB SITE:  
 877-590-7366    www.penntexusa.com  
 DRAWING BY DMc            UPDATED 07-05-07

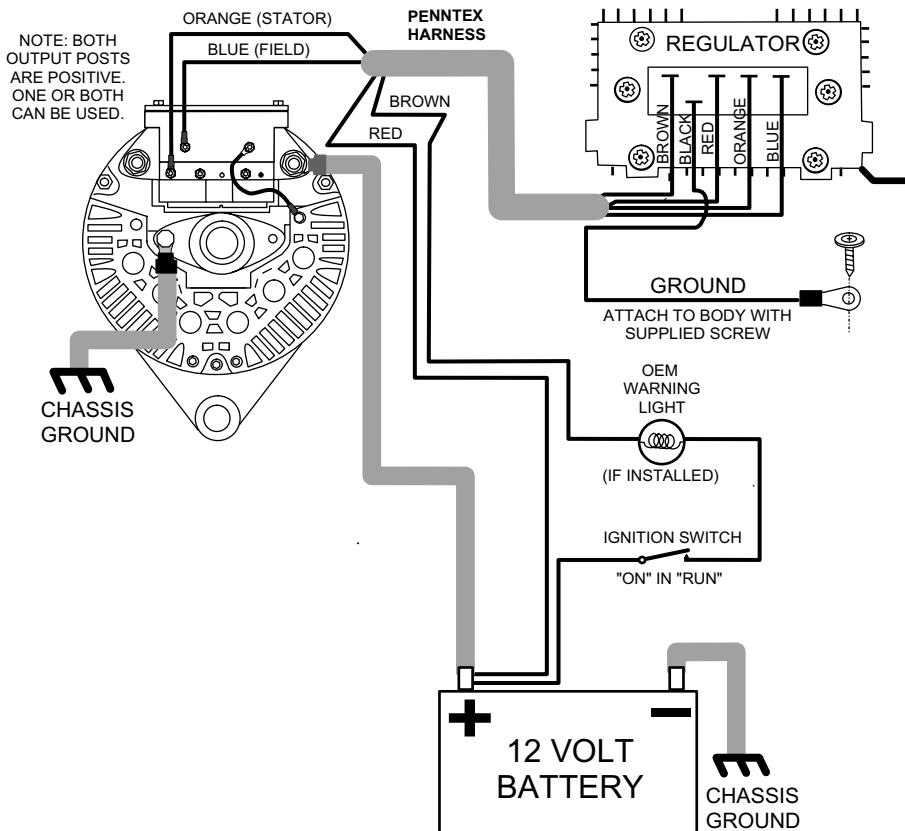
## INSTALLATION: PX-2 SERIES



CHARGING & GROUND CABLE SIZE:  
 MINIMUM # 2 AWG OR LARGER

CONFIRM ENGINE TO  
 CHASSIS GROUND &  
 BODY TO CHASSIS  
 GROUND WITH #2 AWG  
 CABLE OR LARGER.

## INSTALLATION: PX-3 SERIES



THIS IS A WIRING SCHEMATIC  
 FOR THE PX-320S,  
 PX-328S AND PX-330S  
 SERIES ALTERNATORS.

CHARGING & GROUND CABLE SIZE:  
 MINIMUM # 2 AWG OR LARGER

CONFIRM ENGINE TO  
 CHASSIS GROUND &  
 BODY TO CHASSIS  
 GROUND WITH #2 AWG  
 CABLE OR LARGER.

DRAWING #  
 REVISION #