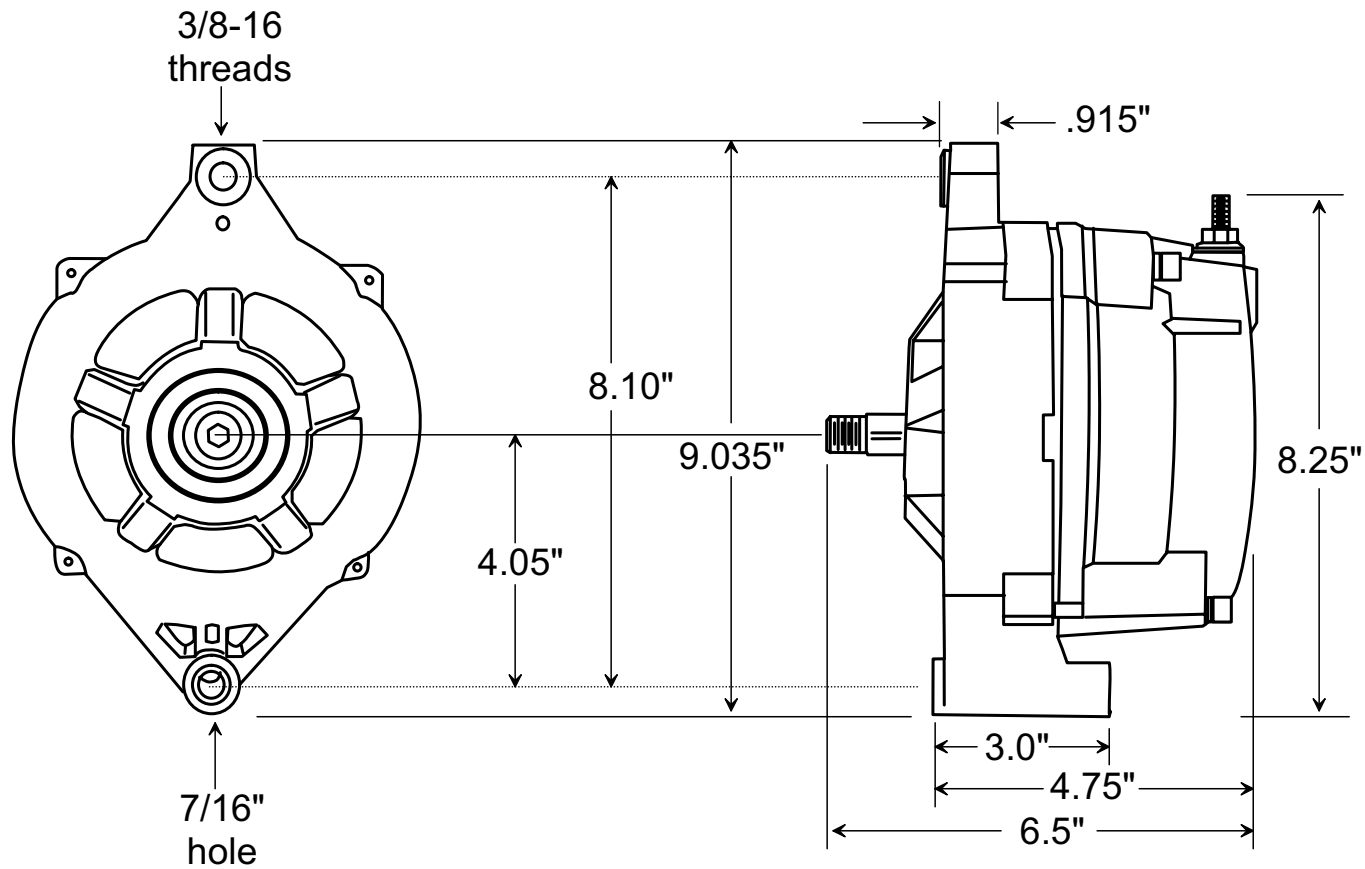


PX-220P-5



NOTE:

ALL DIMENSIONS ARE LISTED FOR QUICK REFERENCE. CONTACT PENNTEX FOR PRECISE MEASUREMENTS IF REQUIRED FOR BRACKETS OR SPECIAL APPLICATIONS.

PennTex
INDUSTRIES, INC.
DRAWING BY DMc.

DATE: 01-14-2008

Scale: None

**PX-2P-5 ALTERNATOR
FROM PX-220P-5 KIT,
12 VOLT, 200 AMP,
SPOOL MOUNT**