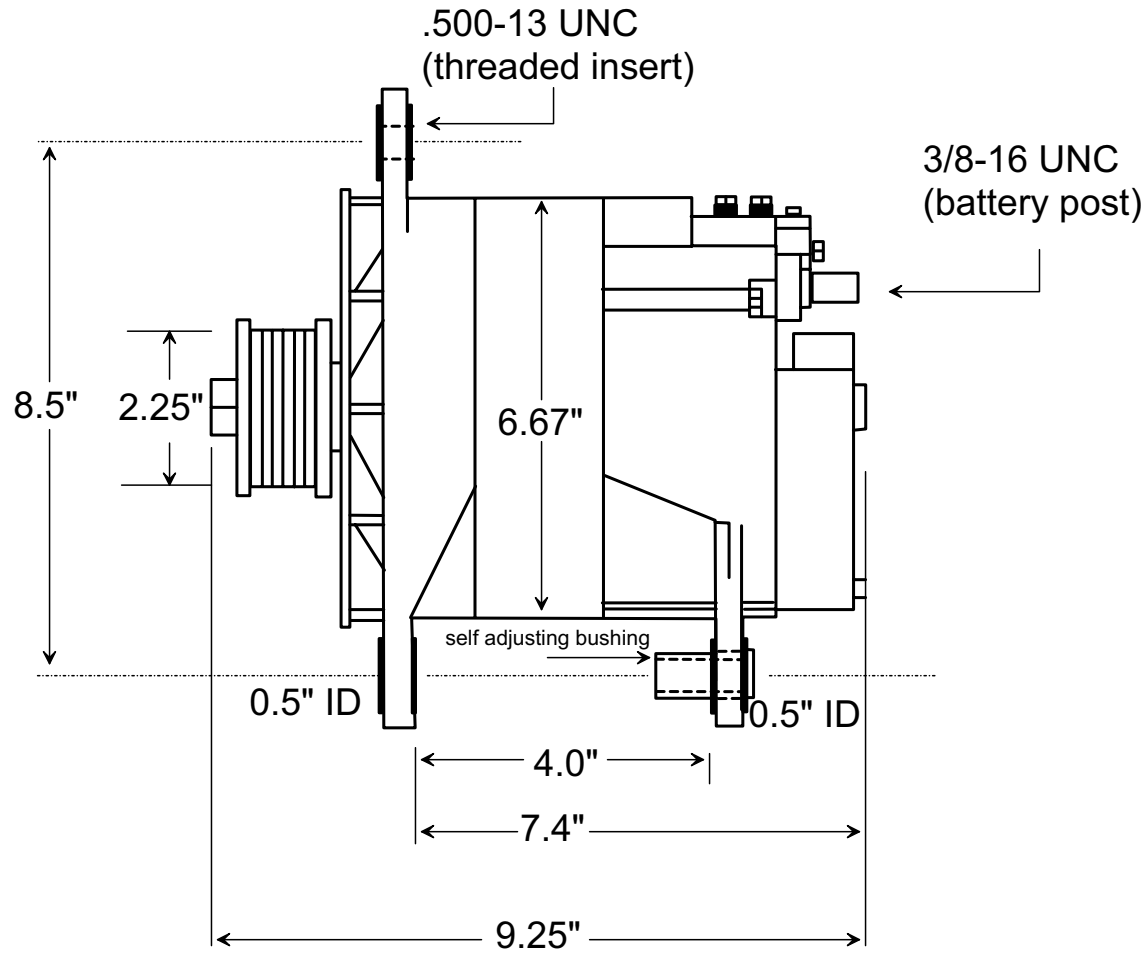


# PX-317S



## NOTE:

ALL DIMENSIONS ARE LISTED FOR QUICK REFERENCE. CONTACT PENNTEX FOR PRECISE MEASUREMENTS IF REQUIRED FOR BRACKETS OR SPECIAL APPLICATIONS.

**PennTex**  
INDUSTRIES, INC.  
DRAWING BY DMc.

DATE: 01-07-2008

Scale: None

**PX-3S-175 ALTERNATOR  
FROM PX-317S KIT,  
24 VOLT, 175 AMP,  
J-180 MOUNT**