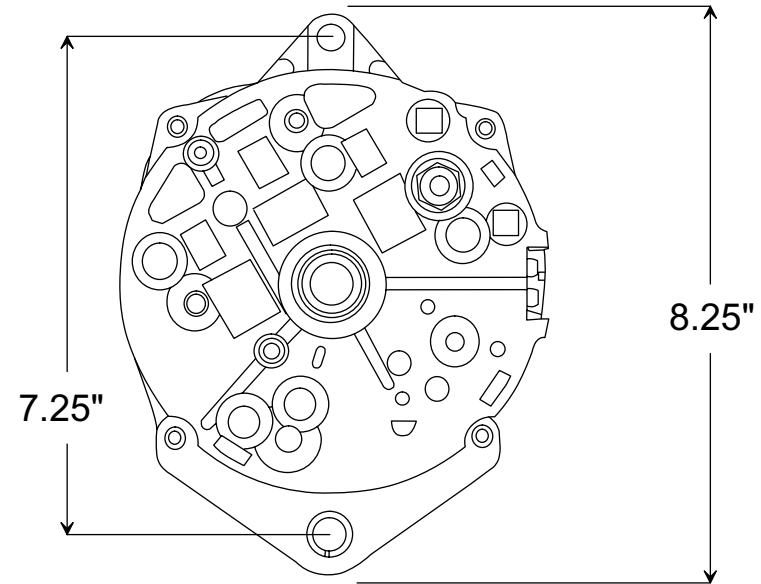
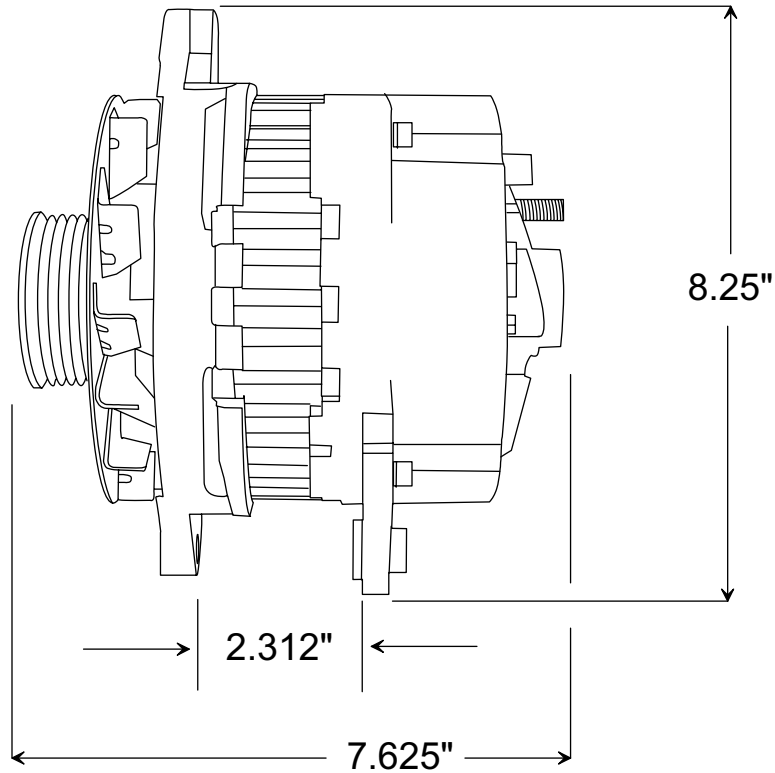


PX-421SMD



NOTE:

ALL DIMENSIONS ARE LISTED FOR QUICK REFERENCE. CONTACT PENNTEX FOR PRECISE MEASUREMENTS IF REQUIRED FOR BRACKETS OR SPECIAL APPLICATIONS.

PennTex
INDUSTRIES, INC.
DRAWING BY

DATE: 01-14-2008

Scale: None

**PX-4SMD ALTERNATOR
FROM PX-421SMD KIT,
14 VOLT, 210 AMP**