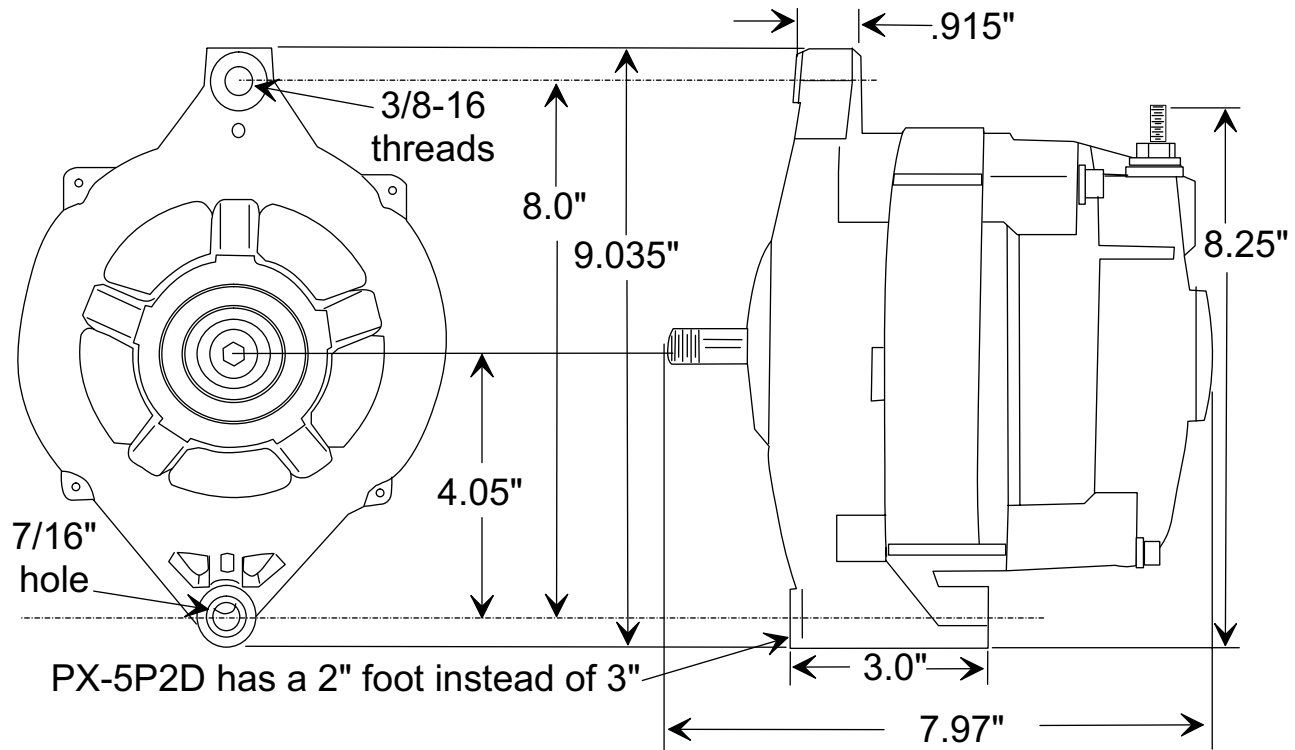


PX-520PD



NOTE:

ALL DIMENSIONS ARE LISTED FOR QUICK REFERENCE. CONTACT PENNTEX FOR PRECISE MEASUREMENTS IF REQUIRED FOR BRACKETS OR SPECIAL APPLICATIONS.

PennTex
INDUSTRIES, INC.
DRAWING BY DMc

DATE: 01-07-2008

Scale: None

**PX-5PD ALTERNATOR
FROM PX-520PD KIT,
14 VOLT, 230 AMP,
3" SPOOL MOUNT**