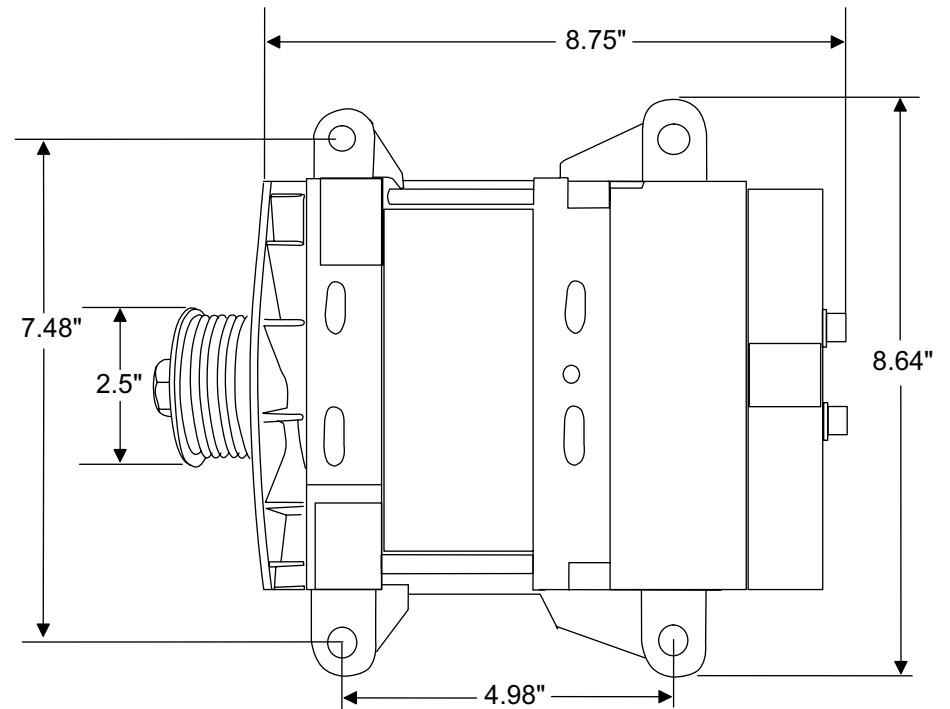
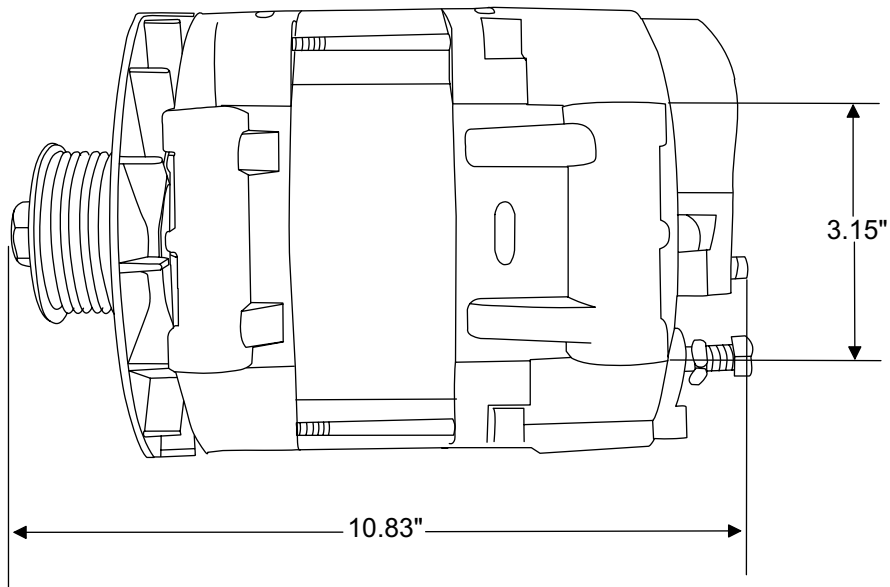


PX-635Q



NOTE:

ALL DIMENSIONS ARE LISTED FOR QUICK REFERENCE. CONTACT PENNTEX FOR PRECISE MEASUREMENTS IF REQUIRED FOR BRACKETS OR SPECIAL APPLICATIONS.

PennTex
INDUSTRIES, INC.
DRAWING BY DMc

DATE: 09-08-2008

Scale: None

**PX-6Q-350 ALTERNATOR
FROM PX-635Q KIT, 14 VOLT,
350 AMPS, QUAD MOUNT**