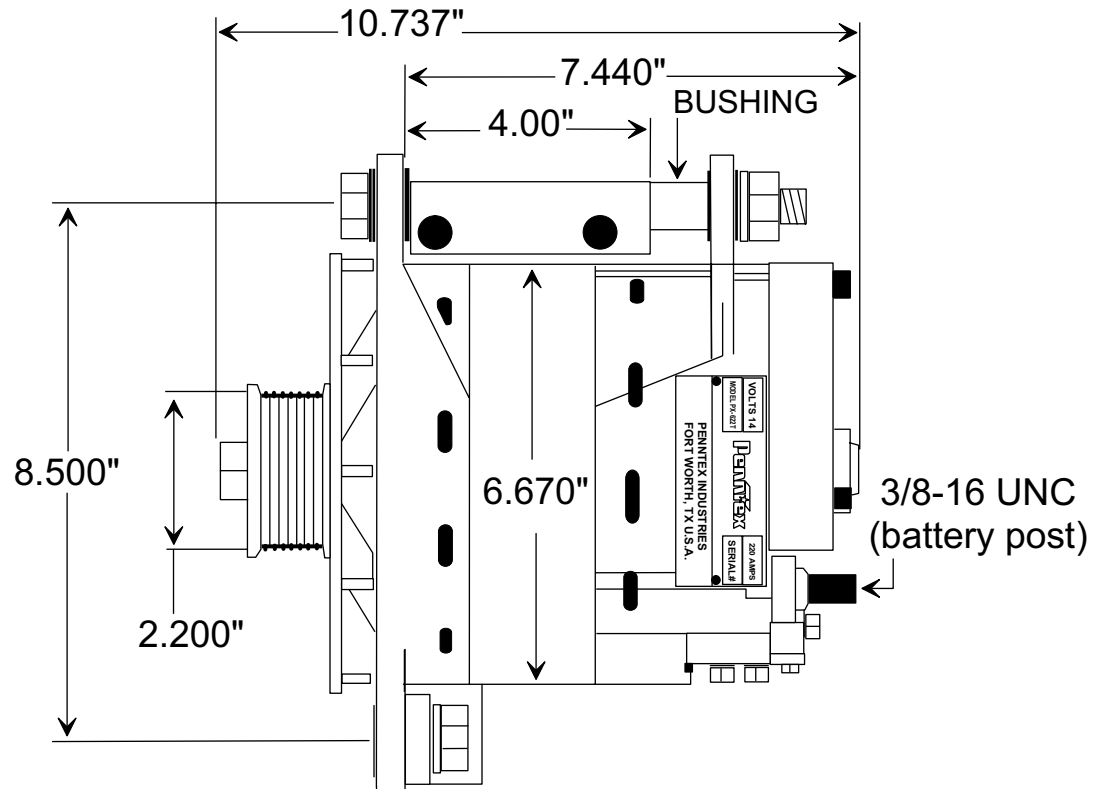


PX-635T



NOTE:

ALL DIMENSIONS ARE LISTED FOR QUICK REFERENCE. CONTACT PENNTEX FOR PRECISE MEASUREMENTS IF REQUIRED FOR BRACKETS OR SPECIAL APPLICATIONS.

PennTex
INDUSTRIES, INC.
DRAWING BY DMc

DATE: 01-14-2008

Scale: None

**PX-6T-325 ALTERNATOR
FROM PX-635T KIT, 14 VOLT,
325 AMP, J-180 MOUNT**