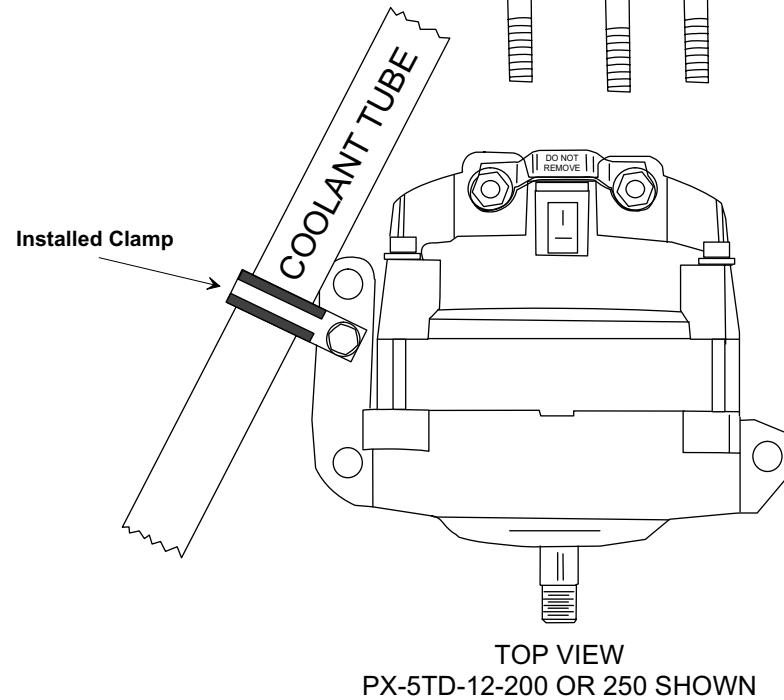
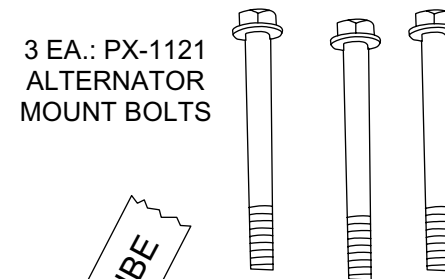
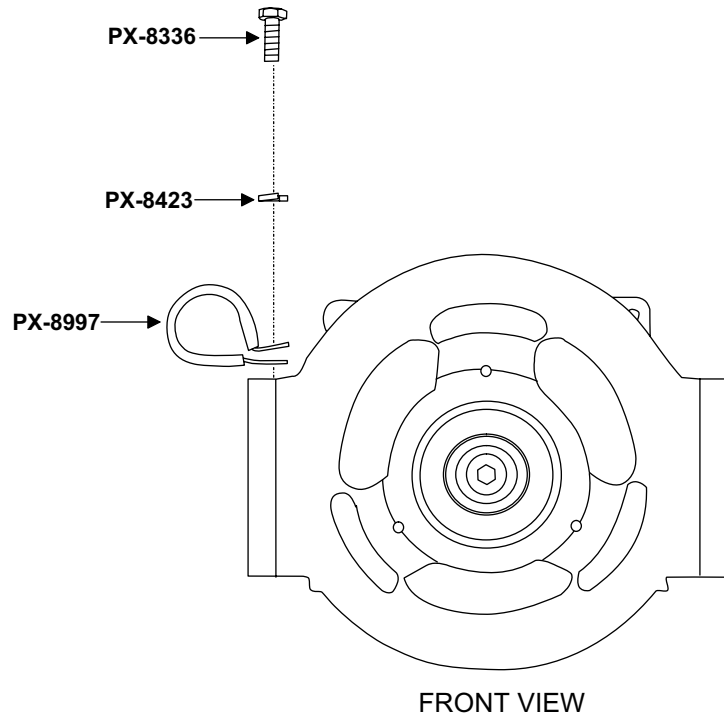


**PX-8990**

**Ford 6.0L Diesel Applications Using PennTex Alternator Models  
PX-520TD-6, PX-520TD-12, PX-525TD-6 or PX-525TD-12**



**Note:**  
For use on 2004-06 Ford E-Series Chassis with a 6.0L Diesel Engine. Install the clamp as indicated in the above diagram to keep the metal tube portion of the heater hose assembly from rubbing against the alternator. Contact PennTex at 1-877-590-7366.

**PennTex** DATE: 12-21-2007  
**INDUSTRIES, INC.**  
DRAWING BY DMc. Scale: None

**PX-8990  
HEATER HOSE CLAMP KIT**