

REAR HOUSINGS



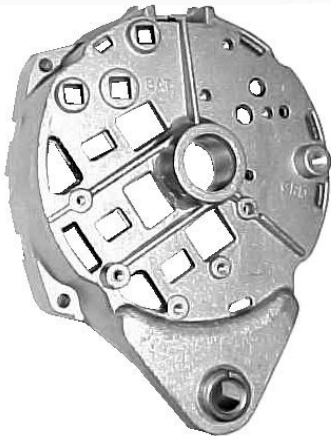
PX-2/4 rear housing is shorter in rear bearing area than a PX-5. New-style castings with extra holes will replace all earlier style using a clip-retained rear bearing.
PX-1124
Housing, Rear, Bare (PX2&PX4G-5)



PX-1124-T rear housing is milled out in this area to clear intake manifold water passage.
PX-1124-T
Housing, Rear, Bare (PX2/5T & 2RL5T)



PX-1191
Housing, Rear, Bare (PX4)



PX-1263
Housing, Rear, Bare (PX4JM)



PX-1292
Housing, Rear, Bare (PX5) (Latest casting has holes for negative diodes. It will also fit PX-5 models without the case mounted diodes.)



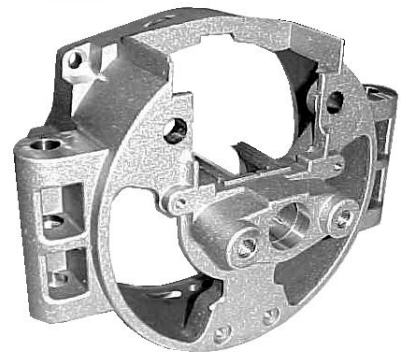
PX-1375
Housing, Rear, Bare (PX3&6)



PA-2442
Housing, Rear, Bare ((PX4PM)



PX-4282
Housing, Rear, Bare (PX4V-220)



PX-6537
Housing, Rear, Bare (PX6Q)